



INTRODUCTION

KALPATARU INDUSTRIES, an ISO 9001:2015 certified company, with experts who have more than 30 years of experience in fire safety field. We're committed to provide excellent quality of workmanship, we manufacture and supply a range of ISI & CE marked Fire Extinguishers and Fire Hydrant Items & Accessories. Our products are manufactured under the Brand name of **KALPEX®** with the modern state of art unit and In-house testing facilities as per essence of IS/BIS.

VISION

The population of the world is rapidly growing and our common life spaces are growing too. It is getting more important to prevent these common spaces from one of the biggest disasters, Fire. We believe in using the latest technology and information with our dynamic staff. We are working with Specialist Engineers and qualified staff in our technical and commercial applications to reduce the fire risk to minimum in living spaces and industrial areas. Our main aim is to give better service, manufacture highly qualified products with our continuously evolving Research & Development. We want to improve the understanding of Fire Security to the level of developed countries. In this way, we want to develop our country by using the raw material, productive power and information of our country efficiently in our manufacturing.

MISSION

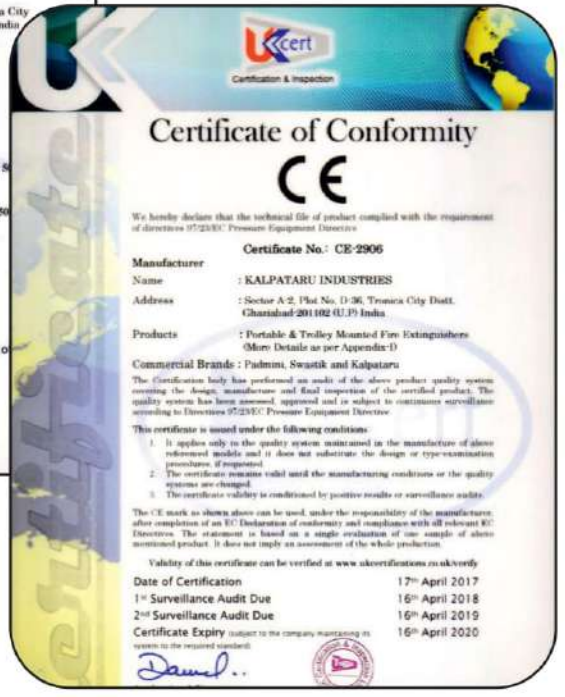
To provide unique and premium quality products to our customers. We are committed to deliver high quality goods and services which fully meet our customers' needs for quality assurance together with ISO 9001:2015 requirements and we constantly seek ways to improve our quality continuously and ensure its continuity.

GOAL

To be the number one in our field by providing best in class products and world class services in the field of fire protection equipments and safety accessories, with high customer satisfaction.



Certifications



Regd. with:



ABC/BC Stored Pressure & Cartridge Type Portable Fire Extinguisher

IS : 15683 : 2006



CML/L- 8700061214



Stored Pressure

Technical Specifications

Capacity(Kg.)	: 1, 2, 4, 6 & 9
Anti Corrosive Inhibitor	: Epoxy Polyester Powder Coating
Confirming IS Code	: 15683
Type of Extinguisher	: Constant Pressure
Type of Extinguishing Media	: Dry Powder IS 14609/IS 4308
Expellant	: Pressurised with N ₂ gas / Gas Cartridge
Minimum Effective Discharge	: 85%
Minimum Jet Length(mtrs.)	: More than 2 mtrs.
Discharge Time(Secls.)	: More than 8 secs.
Hydraulic Test Pressure	: 35 kg/cm ²
Operating Position	: Upright
Charged Pressure	: 15 kg/cm ²
Operating Temperature	: -20°C to +55°C
Operating Valve	: Squeeze grip type with discharge hose & Nozzle.



Gas Cartridge

Application: Class-A Fire, Class-B Fire, Class C Fire as well as Electrical Fires.

Mechanical Foam (AFFF) Stored Pressure / Gas Cartridge Type Portable Fire Extinguisher

IS : 15683 : 2006



CML/L- 8700061214



Stored Pressure

Technical Specifications

Capacity(Ltr.)	: 6 & 9
Anti Corrosive Inhibitor	: Epoxy Polyester Powder Coating
Confirming IS Code	: 15683
Type of Extinguisher	: Constant Pressure
Type of Extinguishing Media	: AFFF IS 4989
Expellant	: Pressurised with N ₂ gas / Gas Cartridge
Minimum Effective Discharge	: 85%
Minimum Jet Length(mtrs.)	: More than 2 mtrs.
Discharge Time(Secls.)	: More than 13 secs.
Hydraulic Test Pressure	: 35 kg/cm ²
Operating Position	: Upright
Charged Pressure	: 15 kg/cm ²
Operating Temperature	: +5°C to +55°C
Operating Valve	: Squeeze grip type with discharge hose & Nozzle.



Gas Cartridge

Application: Class-A Fire, Class-B Fire,

Note: Do not use on energized Electrical Equipment fires.

Water Type Stored Pressure & Gas Cartridge Portable Fire Extinguisher

IS : 15683 : 2006



CML- 8700061214


Stored Pressure
Technical Specifications

Capacity(Ltr.)	: 6 & 9
Anti Corrosive Inhibitor	: Epoxy Polyester Powder Coating
Confirming IS Code	: 15683
Type of Extinguisher	: Constant Pressure
Type of Extinguishing Media	: Soft Water
Expellant	: Pressurised with N ₂ gas / Gas Cartridge
Minimum Effective Discharge	: 95%
Minimum Jet Length(mtrs.)	: More than 2 mtrs.
Discharge Time(Secs.)	: More than 13 secs.
Hydraulic Test Pressure	: 35 kg/cm ²
Operating Position	: Upright
Charged Pressure	: 15 kg/cm ²
Operating Temperature	: +5°C to +55°C
Operating Valve	: Squeeze grip type with discharge hose & Nozzle.


Gas Cartridge
Application: Class-A Fire **Note:** Do not use on energized Electrical Equipment fires.

Carbon Di-Oxide Portable/ Trolley Mounted Fire Extinguisher

IS : 15683 : 2006



CML- 8700061214


Technical Specifications

Capacity(Kg.)	: 2, 3 & 4.5 / 6.5, 9 & 22.5
Confirming IS Code	: 15683 / As per IS:2878
Filling Ratio	: 0.667
Type of Extinguisher	: CO ₂
Type of Extinguishing Media	: CO ₂
Minimum Effective Discharge	: 95%
Discharge Time(Secs.)	: More than 8 secs. / 30 to 40 secs.
Minimum Trow(Mtr.)	: 1 to 2
Operating Position	: Upright
Operating Value(IS:3324)	: Wheel / Squeeze Grip Type
Operating Temperature	: -20°C to +55°C


Application: Class-B & Class-C Fire

Note: More effective in closed areas. Open the window and doors after use.

Clean Agent Type Stored Pressure Portable Fire Extinguisher



IS : 15683 : 2006

 CML- 8700061214

Stored Pressure

Technical Specifications

Capacity(Kg.)	: 2, 4 & 6
Anti Corrosive Inhibitor	: Epoxy Polyester Powder Coating
Confirming IS Code	: 15683
Type of Extinguisher	: Constant Pressure
Type of Extinguishing Media	: Clean Agent Gas
Expellant	: Pressurised with N ₂ gas
Minimum Effective Discharge	: 90 to 95%
Minimum Jet Length(mtrs.)	: More than 2 mtrs.
Discharge Time(Secls.)	: More than 13 secs.
Hydraulic Test Pressure	: 35 kg/cm ²
Operating Position	: Upright
Charged Pressure	: 15 kg/cm ²
Operating Temperature	: -20°C to +55°C
Operating Valve	: Squeeze grip type with discharge hose & Nozzle.

Application: Class-A Fire, Class-B Fire, Class C Fire as well as Electrical Fires.

Note: Most effective in closed areas

Ceiling Mounted(Modular) Automatic Fire Extinguisher(Clean Agent / ABC/ BC Type)

Technical Specifications

Capacity(Kg.)	: 2, 4, 5, 6, 10 & 15
Type of Extinguishing Media	: ABC Dry Powder / Clean Agent / BC Powder
Minimum Effective Discharge	: 85%
Testing Pressure	: 35 kg/cm ²
Charged Pressure	: 15 kg/cm ²
Mounting	: Ceiling Mounting Type
Operating Temperature	: Automatically at 57/ 68/ 93/ 107 & 143°C
Effective Range	: A, B, C & Electrically started Fires.



Application:

Class-A Fire, Class-B Fire, Class C Fire
 As well as Electrical Generated Fires.

KITCHEN FIRE Portable Fire Extinguisher (Stored Pressure Type)



Technical Specifications

Capacity(Kg.)	: 1, 2, 4, 6 & 9
Chemical Charge	: Wet Chemicals
Working Temperature	: +5°C to +55°C
Cylinder Testing Pressure	: 35 Bar
Service Pressure	: 15 Bar
Filling Tolerance	: 0.(-)5% by volume
Min. Effective Discharge Time	: 8 Seconds Minimum
Discharge Quantity	: More than 90%

Application:

Class-K Fire: Cooking Oils, Vegetable/Animal Oils & Fat Fire.

Also can be used for Class-A Fire.

METAL FIRE(D-Class) Portable Fire Extinguisher(Gas Cartridge/Stored Pressure Type)



Technical Specifications

Capacity(Kg.)	: 4, 6 & 9
Type of Extinguishing Media	: TEC Powder(Ternary Eutectic Chloride Powder)
Minimum Effective Discharge	: 85%
Discharge Time	: More than 10 Sec.
Testing Pressure	: 35 kg/cm ²
charged Pressure	: 15 kg/cm ²
Effective against	: Metal Fires
Expellant	: Pressurized N ₂ gas / Gas Cartridge

Application:

Class-D Fire: Effective on all types of metal fire.



TROLLEY TYPE Fire Extinguisher



Technical Specifications	
Capacity(Kg.)	: 25, 50 & 75 kgs. / 50, 100, 200 Ltrs.
Anti Corrosive Inhibitor	: Epoxy Polyester Powder Coating
Type of Extinguisher	: ABC / BC / Water / AFFF Foam Type
Type of Extinguishing media	: Dry Powder / Water / AFFF Foam
Expellant	: Pressurised with N ₂ gas / Co2 Cartridge & Cylinder
Min. Effective Discharge	: More than 85%
Discharge Time	: More than 40 Secs.
Hydraulic Test Pressure	: 35 kg / cm ²
Operating Position	: Upright
Charged Pressure	: 15 kg / cm ²
Operating Temperature Range:	(-)20 to (+)55(Powder)/+5°C to +55°C for water/Foam
Operating Valve	: Rotate Type



Application:
 Class-A Fire, Class-B Fire, Class-C Fire
 As well as Electrical Fires.

Mobile Foam Unit

Technical Specifications	
Capacity	: 100/ 150 /200 Ltrs.
AFFF: 3% or 6% fixed type (As per customer requirement)	
Dip Tube	: Stainless Steel
Pickup Tube	: PVC Braided Flexible Hose
Delivery Hose	: RRL/Synthetic Hose
Lenth	: 7.5/15 Meters
Finish	: Yellow / Red



Mono Ammonium Phosphate Based Powder



Aqueous Film Forming Foam (AFFF)



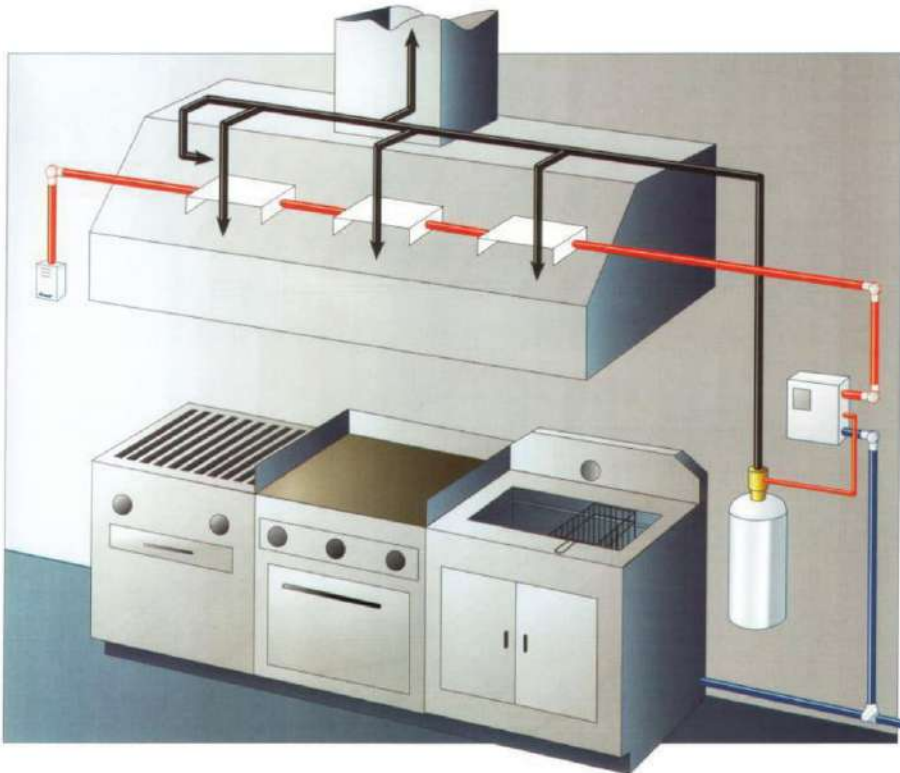
CO2 Cartridge



Kitchen Wet Chemical System

Wet chemical is most commonly used to extinguish cooking oil fires. It is the primary source of extinguishing kitchen fire's, most of the wet chemical potassium compounds are highly corrosive and have limited uses for fire protection.

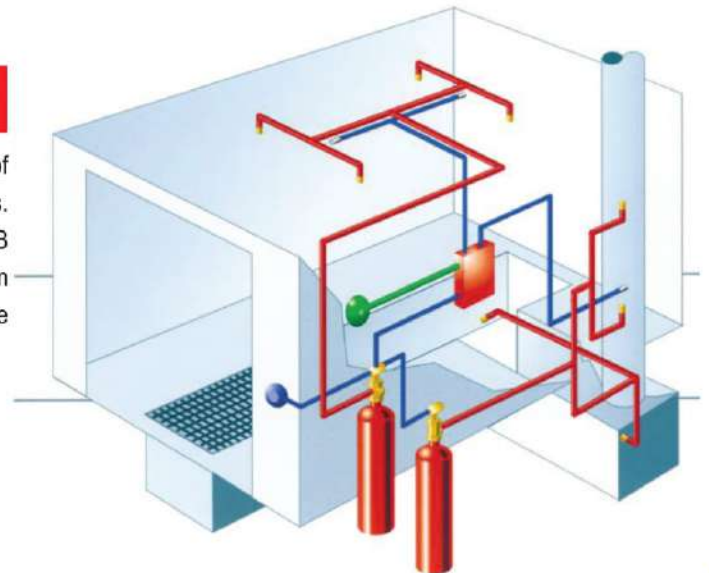
Wet chemical suppresses fires by a process called saponification. Saponification is the process of chemically converting the fatty acid contained in the cooking medium to soap, or foam, and it accomplishes extinguishment by forming a surface coating.



Dry Chemical Fire Suppression System

Dry Chemical System, provides 24-hour fire protection for a wide variety of industrial processes, equipment, machinery and paint spray booth applications. The system has the choice of two dry chemical agents effective on Class A, B and C fires. Total flooding or local application design options. The system includes detectors, a control unit, agent storage cylinders, piping and discharge nozzles.

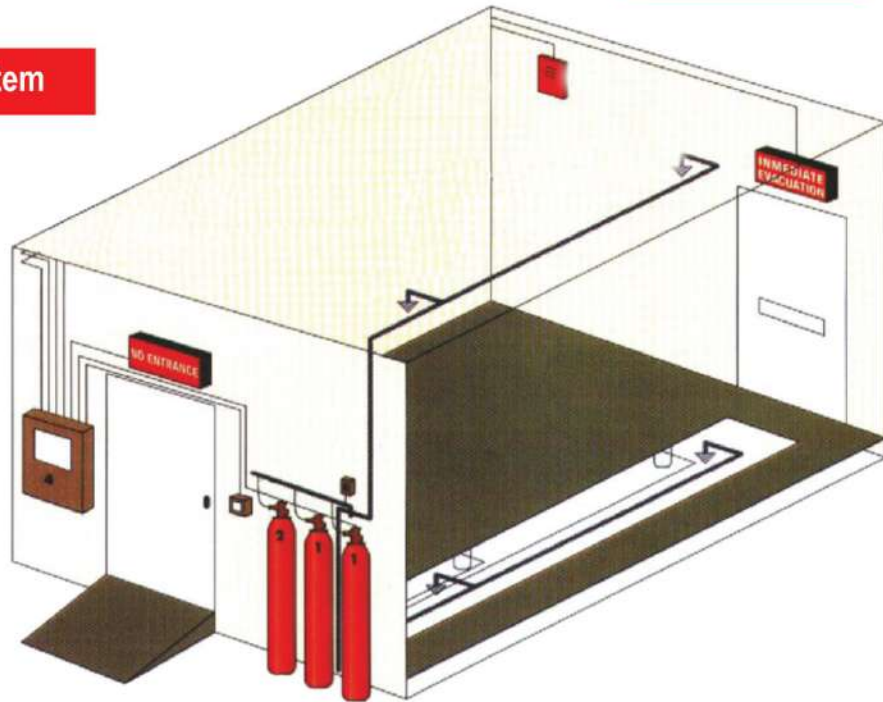
Application: Paints storage areas, spray paint booths, gas stations.



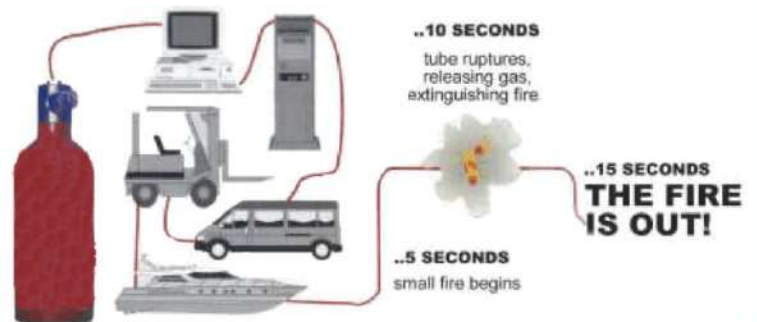
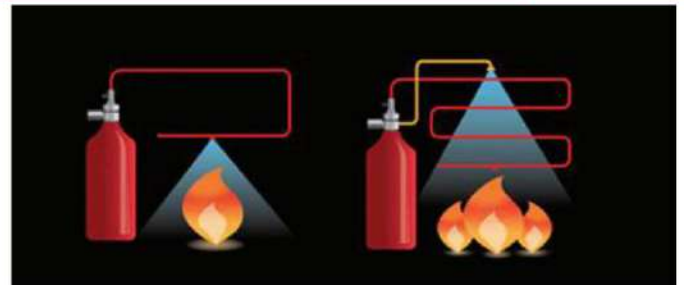
Clean Agent Fire Extinguishing System

The benefits of a Clean Agent Fire Extinguishing System are speed in suppressing fires, reducing damages, saving on floor space and allowing visibility. It leaves no residue and doesn't require costly clean-up, unlike sprinklers and other fire protection systems. Our systems are designed to extinguish a fire quickly and effectively thus allowing businesses to continue operating with minimal interruptions.

Clean Agent Fire Extinguishing Systems are great in applications ranging from telecommunications and data processing to switch gear rooms, military applications and cell sites to high-tech medical applications.



Polymer Tube Based Automated Pre Engineered Systems



Polymer Tube Based Automated Pre Engineered Systems are reliable and cost-effective means to protect mission critical or high value assets with enclosures, against the risk of fire. And due the fact that the system detects and suppresses a fire inside such spaces/enclosures (e.g. electrical cabinet, server racks etc.) right where the fire begins, the financial losses due to equipment damage and downtime is mitigated to bare minimum. Containing a fire to a single enclosure/ space of occurrence, also prevents it from spreading to adjacent areas or the building itself and also stops collateral damages caused from activation of overhead water-based sprinkler system.



KalpEX™

Single Headed Landing Valve



IS : 5290



CM/L-8932796

Stainless Steel Material

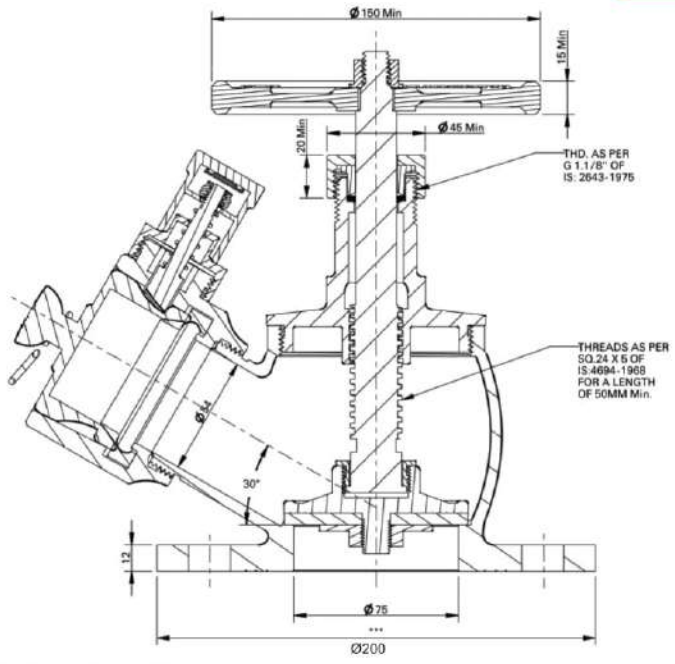


IS : 5290



CM/L-8932796

Gun Metal Material



Technical Specifications

- Size :** 63mm
- Inlet :** 3" NB Flanged
- Outlet :** Female Instantaneous
- Material :** Gun Metal / Stainless Steel / Aluminium Alloy
- Hand Wheel :** Gray Cast Iron
- Hologram :** Sticker stuck on Landing Valve
- Conforming Specification :** IS:5290, Type 'A'
- Performance Test :** Hydrostatic Test (Body Test) : Tested at 21 kgf/cm² water tightness (Seat Test) : Tested at 14 kgf/cm² Flow Test: 900 LPM discharge at 7 kgf/cm²

Suction Couplings



Shut off Nozzle

Suction Strainer



Drawout

Double Instantaneous Female Couplings



Reduced Shank Coupling

Cam Lock Coupling



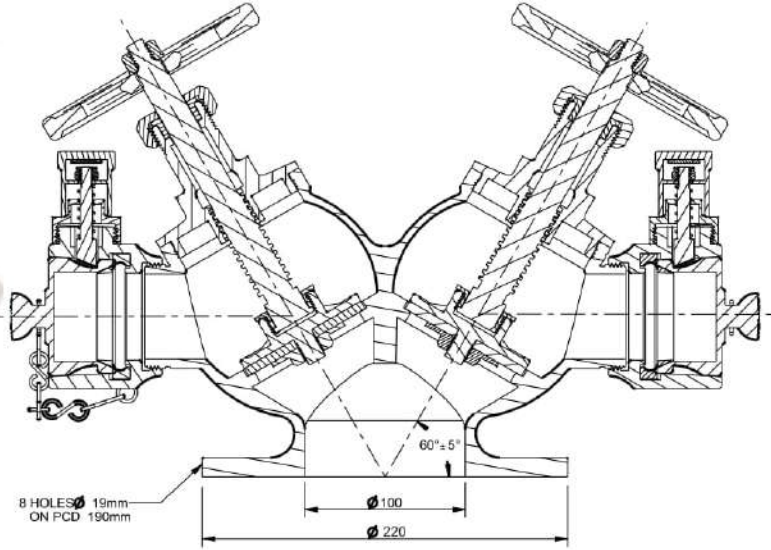


KalpEX™

Double Headed Landing Valve



Stainless Steel Material



Gun Metal Material

TECHNICAL SPECIFICATIONS

- Size :** 63mm
- Intel :** 4" NB Flanged
- Outlet :** Female Instantaneous
- Material :** Gun metal / Stainless Steel / Aluminium Alloy
- Conforming Specification :** IS 5290
- Performance Test :** Hydrostatic Test (Body Test) : Tested at 21 kgf/cm² water Tightness (Seat Test) : Tested at 14 kgf/cm² Flow Test: 1800 LPM discharge at 7 kgf/cm²
- Hand Wheel :** Grey Cast Iron
- Hologram :** Sticker stuck on Landing Valves



Single Inlet Breaching



2-way Inlet Breaching



3-way Inlet Breaching



4-way Inlet Breaching



KalpEX™

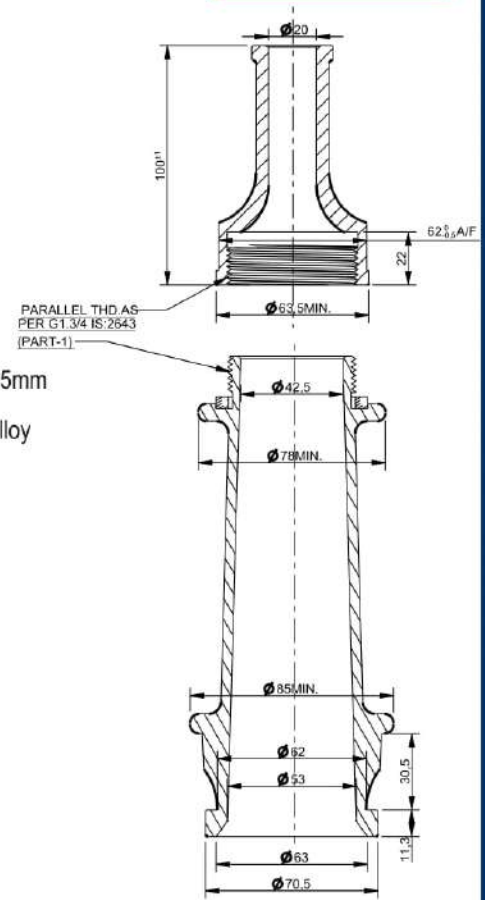
Branch Pipe / Nozzles



Stainless Steel Material Gun Metal Material

TECHNICAL SPECIFICATIONS

- Size of Branch Pipe :** 63mm
- Size of Nozzles :** 6mm, 12mm, 15mm, 20mm and 25mm
- Material :** Gun Metal / Stainless Steel / Aluminium Alloy
- Conforming Specification :** IS 903
- Performance Test**
 - Hydrostatic Test (Body Test) : Tested at 21 kgf/cm²
 - Working Pressure: 7 kgf/cm²
- Finish:** Natural Polished
- Hologram :** Sticker stuck on Nozzle



Triple Purpose Nozzles



Fog Nozzles



Revolving Type Nozzles



Fire Sprinklers

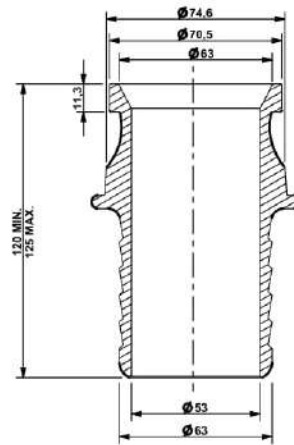
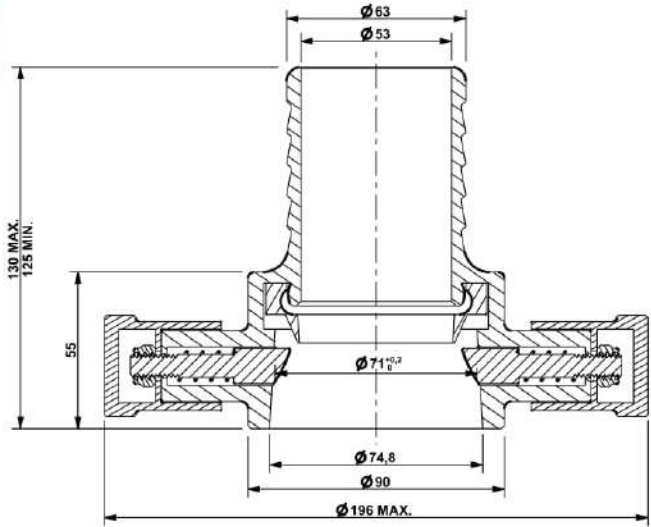




Instantaneous Coupling

TECHNICAL SPECIFICATIONS

- Size :** 63mm
- Material:** Gun Metal / Stainless Steel/Aluminium Alloy
- Conforming Specification :** IS 903
- Performance Test:**
Hydrostatic Test (Body Test) : Tested at 21 kg/cm²
- Other Range**
38mm, 52mm & 70mm
- Hologram :** Sticker stuck on coupling



CP Fire Hose



Hose: KalpEX PIL-DURA CP Hose, Conforming to IS : 8423/1994, ISI Marked.

Application: This hose used for water delivery purpose in Fire-Fighting Irrigation & floor Washing etc.

CONSTRUCTION

Jacket: Circular woven jacket made from a special synthetic yarn.

Rubber Lining : An ultra thin layer of rubber lining with suitable rubber compound which ensure controlled percolation.

Standard Length: 7.5 Mtrs, 15 Mtrs, 22.5 Mtrs & 30 Mtrs.

End Connection : As per customer requirements

FEATURES :

- Compact, Flexible & Light weight
- Low friction loss
- Abrasion resistance
- Ability to withstand high operating & back pressure

TECHNICAL SPECIFICATIONS				
Inside Diameter (inch.)	(mm)	Proof pressure Kg. f/cm ²	Burst Pressure Kg. f/cm ²	Mass Wt. (Gm./Mtr.)
1-1/2	38.0	21.4	35.7	250
2	50.0	21.4	35.7	300
2-1/2	63.0	21.4	35.7	350
2-3/4	70.0	21.4	35.7	400



KalpEX™

RRL FIRE Hose

IS : 636 TYPE - A



CM/L-8623682



Hose: KalpEX RRL Hose (Reinforced Rubber Lined Hose) Conforming to IS : 636/1988 Type-A, ISI Marked

Application: This RRI Hose used for water delivery purpose in Fire-Fighting & Civil Engineering Applications etc.

CONSTRUCTION

Jacket : Circular woven jacket made from a special blend of cotton & synthetic yarn with high abrasion and heat resistance. Jacket is also treated with suitable rot proofing agent.

Reinforcement : A thin fabric reinforcement bonded by a special adhesive.

Rubber Lining: A rubber inner lining with suitable rubber compound which gives flexibility, durability & better resistance.

Standard Length: 7.5 Mtrs, 15Mtrs, 22.5 Mtrs & 30 Mtrs.

End Connection : As per customer requirements

FEATURES

- Compact, Flexible & Light weight
- Abrasion Resistant
- Ability to withstand high operating & back pressure.

TECHNICAL SPECIFICATIONS

Inside (inch.)	Diameter (mm)	Proof pressure Kg. f/cm ²	Burst Pressure Kg. f/cm ²	Mass Wt. (Gm./Mtr.)
1-1/2	38.0	21.4	35.7	275
2	50.0	21.4	35.7	350
2-1/2	63.0	21.4	35.7	425
2-3/4	70.0	21.4	35.7	480

Aqua Dura RRL Hose Pipe(Elastomeric)

IS : 636 TYPE - A



CM/L-862368

TECHNICAL SPECIFICATIONS

Hose : Dura RRL Hose (Reinforced Rubber Lined Hose) with Elastomeric Coating conforming to IS : 636/1988 Type-A, ISI Marked

Application : This Dura RRL Hose is used for water delivery purpose in Fire Fighting for Oil & Power Sector. Industrial Plants, & Sailing Vessels

Construction :

Jacket : Circular Woven jacket made from a 100% synthetic yarn with high abrasion and heat resistance. The woven jacket is treated with a special Elastomeric Coating to give protection against moisture and fungus.

Reinforcement : A Thin Fabric Reinforcement bonded by a Special Adhesive.

Rubber Lining : A Rubber Inner Lining With suitable rubber compound which gives flexibility, durability & better resistance

Standard Length : 7.5 Mtrs, 15 Mtrs, 22.5 Mtrs & 30 mtrs.

End Connection : As per customer requirements

FEATURES

- Compact, Flexible & Light weight
- Abrasion, Bacteria & Fungus Resistant
- Ability to withstand high operating & back pressure
- Reinforced rubber lined (RRL)
- Unaffected with mild dew



ISI Marked

TECHNICAL SPECIFICATIONS

Inside (inch.)	Diameter (mm)	Proof pressure Kg. f/cm ²	Burst Pressure Kg. f/cm ²	Mass Wt. (Gm./Mtr.)
1-1/2	38.0	21.4	35.7	275
2	50.0	21.4	35.7	350
2-1/2	63.0	21.4	35.7	425
2-3/4	70.0	21.4	35.7	480



KalpEX™

Hose Reel Drum

IS : 884

 CM/L-8930085



Rubber Hose (Hose Reel Pipe)



IS : 444

 CM/L-8422874
 ISI Marked

General Purpose Rubber water Hose

IS:444-Type-1 W.P.6 kgf/cm² MIN.B.P 19 kgf/cm² ISI Marked
 IS:444-Type-2 W.P.10kg/cm² MIN. B.P 32 kgf/cm² ISI Marked
 IS:444-Type-3A, 3B W.P. 25kgf/cm² MIN. B.P 80 kgf/cm² ISI Marked

CONSTRUCTION

Reinforcement : Plies of woven fabric or braiding textile of high strength synthetic fiber.

Cover : Black, smooth, cloth marked finish plain or ribbed cover of weather and abrasion resistant rubber. Type 3B Hoses have oil resistant outer cover

Nominal Bore (D) : 10mm to 100mm

Application : This hose is used for water delivery purpose & has a wide rang of applications in various industries like Mines, Dam, Railway, Construction sites and **Fire Fighting**

Thermo Plastic Hose Pipe

TECHNICAL SPECIFICATIONS

As Per IS : 12585-Type -2 W.P. 10 Kgf/cm²

Construction :

Lining : A flexible Thermoplastic Lining, Smooth in bore.

Reinforcement: A Natural or Synthetic Textile

Reinforcement: Cover : A flexible thermoplastics cover, which may have a smooth or fluted finish as agreed to between the purchaser and the supplier. The Colour may be different from that of the lining

Application: This hose used for water delivery & Fire Fighting Purpose

First Aid Hose Reel For Fire Fighting

TECHNICAL SPECIFICATIONS

Conforming to: IS:884/1985

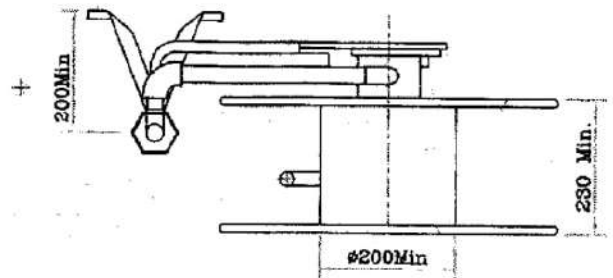
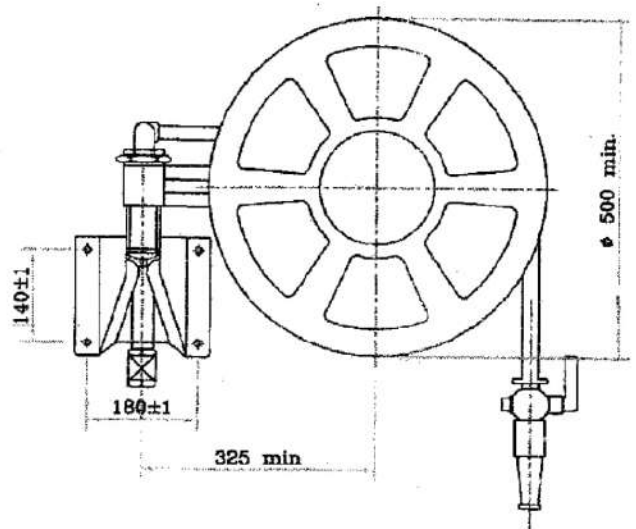
Type: Wall Mounted Fixed / Swinging Type

Size: Inlet : 1" Threaded Inlet Connection
 Outlet : ¾" 1" / 1-½" outlet connection Hose
 to accommodate 30 / 36 / 40 Mtrs. Hose

Hose : Rubber Braided Hose Pipes Conf. to IS : 444/1987, Type-1, 2, 3A & 3B (Duly ISI Marked)

Performance Test:

- Hydrostatic Test (Body Test) : Tested at 21 kgf/cm²
- Range & Water Flow rate test at 7kgf/cm²
- Discharge: 24LPM



IS : 903

 CM/L-8929306





Foam Making Branch



Foam making branch pipe is a light weight, easy to handle. Ideal for fire brigade, First line appliances and general industrial use. It will operate from a water supply at particular pressure to produce bubbles via 3m long pierce pick-up tube which can be supplied with the branch pipe.

	FB5X	FB10X
Design & Construction	As Per IS:2097	As per IS:2097
Operating Pressure Range	5.0 to 5.5 Bar	8.0 to 8.5 Bar
Foam Liquid	AFFF, ARFFF	Standard AFFF Compound
Foam Ratio	1:10	1:10
Discharge(LPM)	225 to 250	450 to 500
Let Length(Maximum)	20 Meters	24 Meters
Coupling Inlet	2.5" Instantaneous(M)	2.5" Instantaneous(M)
Foam Pick-up	20mm Quick Release	20mm Quick Release
Material	Aluminium Alloy	Aluminium Alloy
Weight	3.2 kg.	3.7 kg.
Angle of Operation	30°	30°

KalpEX™



FEATURES:

- Excellent Foam Quality
- Light weight compact self inducing high output branch pipe
- Longer foam throws performance
- Wide operating pressure range
- Suitable for all types of foam concentrate
- Useful for all oil & chemical installations: General Industries, Airports & Fire brigades

Stand Post Type Water & Foam Monitor

Design & Construction	As Per IS:8442
Material	Seamless Mild Steel Tubes
Size of Monitor	63mm
Size of the Inlet Flange	80mm
Construction	Welded from M.S. Seamless Pipes, Bends etc.
Discharge Capacity	1750 LPM
Horizontal Throw	50-55 Meters
Rotation	360°
Elevation	85° to 30°
Joint	Swivel Type(Gum- Metal)
Jet Spray Nozzle	Gun Metal or Aluminium
Operative Pressure	0.7N/mm ² at Nozzle End
Leakage Pressure	To with stand pressure of 2.3N/mm ²

TECHNICALSPECIFICATIONS

AsPerIS:8442

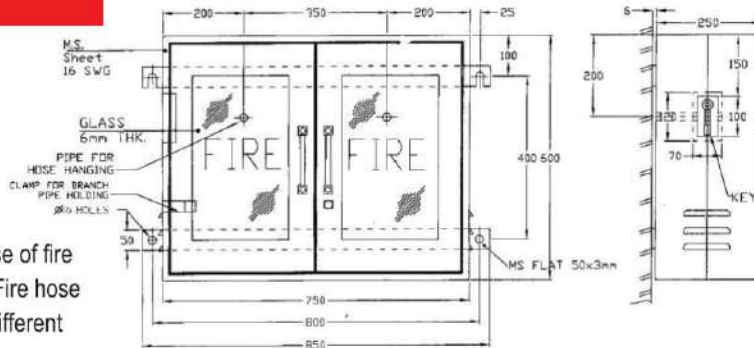
Application

- Oil Sector
- Refineries
- Chemical Plants
- Fertilizer Plants
- Fire Tender etc.



Hose Box

- Material : Mild Steel sheet
 Gauge of Sheet : 14/16/18 Gauge
 Size : 30"X24"X10"
 24"X24"X10"
 20"X20"X10"
 Features : Easy access in case of fire emergency. Keep Fire hose safe. Available in different sizes



AFTER SALES SERVICE

We are ready to support our clients from the enquiry stage right through to the delivery of the products. Furthermore, our services continue beyond the sales of the products.

An AMC with us is a one stop solution for all the fire safety needs of your organization. We, offer complete after-sales service on PAN India basis. With our experienced technicians and skilled partners, our service organization will ensure that your product is maintained smoothly and reliably. Our technicians provide installation and operation services, offer training, and look after your product to the extent you require. We are committed to provide quality products, and welcome your comments and enquiries.

With our comprehensive services, we assist our customers in modernizing existing installations from the planning to the start-up phases to achieve optimal efficiency. Our experts also work out how our customers can achieve additional cost reduction.

We are available 24x7 and our centres are located strategically close to you.

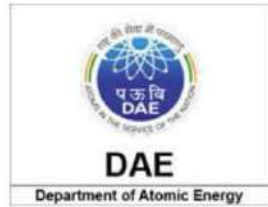
For After Sales Service-Centralized Service Team

KALPATARU INDUSTRIES

Plot No. D-36, Sector A-2, Tronica City Industrial Area, Ghaziabad, Uttar Pradesh – 201101
 Contact: +91 7042892997, 9870199904
 E-mail: info@kalpataruindia.in, sales@kalpataruindia.in

#37, Ground Floor, Raghusree Market, Ajmeri Gate, Delhi -110006
 Contact: +91-11-23235293, 23238540, 23217785
 E-mail: delhi@kalpataruindia.in

CLIENTELE





KalpEXTM

KALPATARU INDUSTRIES

Regd. Office / Works:-

Plot No. D-36, Sector A-2,
Trans Delhi Signature City,
Distt. Ghaziabad (U.P.)-201102 India
Tel.: 7042892997, 9870199904
Email: info@kalpataruindia.in

Corporate Office

37, Ground Floor, Raghushree Market,
Ajmeri Gate, Delhi-110006 India
Tel.: 011-23235293, 23238540, 23217785
Mob.: +91 9971748999
Email: delhi@kalpataruindia.in

www.kalpataruindia.in

" Notice : Design & specification may be changed without prior notice in view of technical upgradation".